

## Main

|                                    |                      |
|------------------------------------|----------------------|
| Accessory / separate part category | Cabling accessory    |
| Accessory / separate part type     | Pre-wired connectors |
| Series name                        | General purpose      |

## Complementary

|                                |   |
|--------------------------------|---|
| Electrical connection          | Elbowed female connector, connector type: M12 5 pins (included earth pin) |
| Cable connector fixing         | Screw-on  |
| Collar material                | Metal   |
| Status LED                     | Without   |
| Cable length                   | 2 m   |
| Cable outer diameter           | 5.9 mm  |
| Cable composition              | 5 x 0.34 mm <sup>2</sup>  |
| Wire insulation material       | PUR   |
| [Ue] rated operational voltage | 75 V DC<br>60 V AC  |
| [In] rated current             | 4 A   |
| Contact resistance             | <= 5000 µOhm  |
| Insulating resistance          | >= 1 GΩ   |
| Product weight                 | 0.115 kg  |

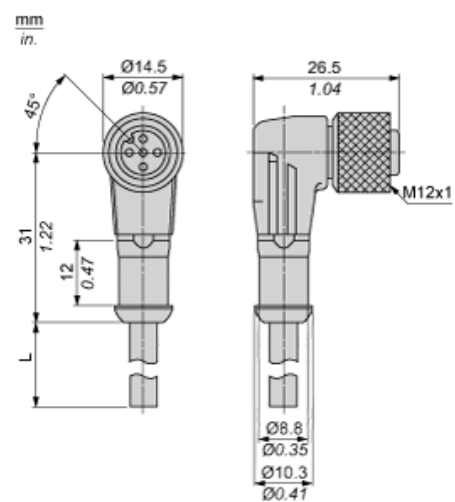
## Environment

|                                       |  |
|---------------------------------------|--|
| IP degree of protection               | IP65<br>IP67<br>IP69K                        |
| Ambient air temperature for operation | -5...80 °C (flexing)<br>-40...80 °C (static) |
| Ambient air temperature for storage   | -40...80 °C                                  |

## Offer Sustainability

|                                  |   |
|----------------------------------|---|
| Sustainable offer status         | Green Premium product   |
| RoHS (date code: YYWW)           | Compliant - since 0649 - <a href="#">Schneider Electric declaration of conformity</a> |
| REACH                            | Reference not containing SVHC above the threshold                                     |
| Product environmental profile    | Available <a href="#">Download Product Environmental</a>                              |
| Product end of life instructions | Available <a href="#">Download End Of Life Manual</a>                                 |

Dimensions



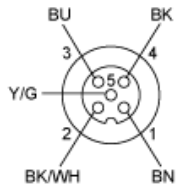
L : Length of cable

---

Connections and Schemes

---

Connectors



BU : Blue  
BN : Brown  
BK : Black  
Y/G : Yellow / Green  
BK/ Black / White  
WH :